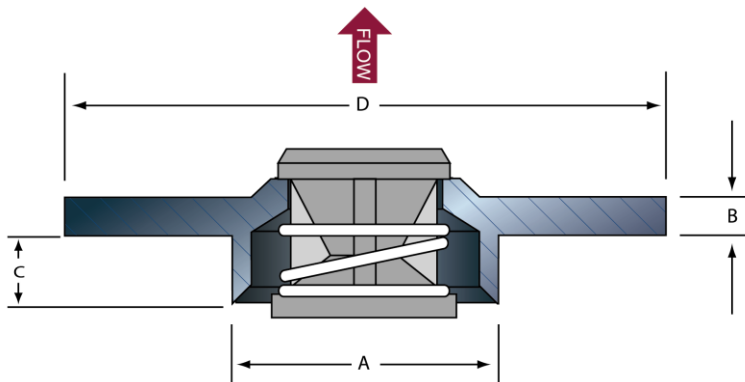




CHECK VALVE - 3915

Vent Valve Model 3915 can be used as check valve, vacuum breaker or a low-pressure relief valve. These valves are lightweight and are designed to easily insert between flanges. Minimum settings are 2 ounces for both vacuum and pressure.



Features:

- Vacuum relief or pressure relief
- Soft seat standard with a wide range of elastomers available
- Metal seats available for high temp applications
- Sizes range from 1" to 20"
- Constructed to give long lasting service
- Lightweight construction makes for easy installation
- Available in carbon steel or 316 stainless steel

SIZE	ASA RATING	A DIA.	B	C	D DIA.
1"	150# & 300#	1.0	1/4"	.358	2"
1 1/2"		1.570	1/4"	.437	2 7/8"
2"		2.005	1/4"	.488	3 5/8"
3"		3.006	5/16"	.726	5"
4"		3.964	3/8"	1.055	6 3/16"
6"		6.003	3/8"	1.512	8 1/2"
8"		7.919	1/2"	2.262	10 5/8"
10"		9.958	1/2"	2.988	12 3/4"
12"		11.976	1/2"	3.430	15"
14"		13.062	1/2"	3.563	16 1/4"
16"		14.938	9/16"	3.876	18 1/2"
18"		16.814	5/8"	4.113	21"
20"	150# & 300#	18.750	11/16"	4.250	23"

Typical dimensions are listed. Data contained herein can be altered to accommodate design changes and changes to increase performance.

Information on this page is the sole property of L6 Inc. d/b/a Total Valve Systems.